

ABJET®



POWERED BY:
ROTAX.



www.abinflatables.com

THE ABJET® line seamlessly marries performance with style, providing comfort, safety, and the unparalleled craftsmanship that **AB INFLATABLES** is known for.

WHY CHOOSE ABJET® AS YOUR NEXT JET TENDER



As part of our ABJET® collection, we offer a wide variety of tender sizes for you to choose from, ranging from 9.5ft (2.90mts) to 15ft (4.56mts), all of which are easily fitted to yachts and sailboats starting at 40ft (12.20mts). All decks have been crafted from a single unit of fiberglass, meaning there are no added or moving parts, making for a quiet navigation, easier maintenance and increased durability.

The ABJET® S Series has become the benchmark in the 9.5ft (2.90mts) to 12ft (3.86mts) jet segment. The ABJET® S Series is designed to comfortably seat two people at the pilot's seat, offering the most efficient passenger capacity in its segment. With a flat floor deck free of obstructions, an ergonomically positioned throttle, a sport console with cupholders, a convenient platform with a stainless-steel sliding ladder, stainless steel handles and rails and, among many other features, the ABJET® guarantees a seamless experience on the water.

The ABJET® XP Series has set the standard in the 11ft (3.45mts) to 15ft (4.56mts) jet segment. Its unique deck design maximizes space, designed to comfortably seat people at the rear and many more in the bow area, while optimizing boat stability and promoting efficient weight distribution. The ABJET® XP Series has a completely open deck free of obstacles, ensuring easy mobility and a comfortable walkway. Our smaller models in this collection feature a removable seat for increased space while larger models are complete with bow seating which can be conveniently turned into a sunbed for an even more comfortable boating experience.

The ABJET® portfolio is completely powered by the Rotax® Jet Propulsion System, meaning that both, our engines and jet pumps, come from Bombardier Recreational Products (BRP). In addition, owners are fully backed-up by our dedicated aftersales and engineering ABJET® Team complete with an international network, guaranteeing peace of mind.

Finally, with our wide range of optional features, as well as color and texture options for the upholstery, inflatable tubes, and accessories of your tender, you can truly make any ABJET® your own.

NOW IT IS TIME FOR YOU TO LIVE THE ABJET® EXPERIENCE. WELCOME ABOARD.



ABJET[®]
S SERIES

ABJET[®]



ABJET® 290



Specifications

Model	ABJET® 290
Length	2,90 mts / 9'6"
Beam	1,70 mts / 5'7"
Height (Removable Wheel)	0,83 mts / 2'8"
Tube Material	ORCA® 820
Tube Diameter	16" / 0,41 mts
Number of Chambers	4
Weight	683 lbs / 310 kgs
Person Capacity	4
Installed HP	90
RDC Design Category	C

Engine features

OEM with **ROTAX**

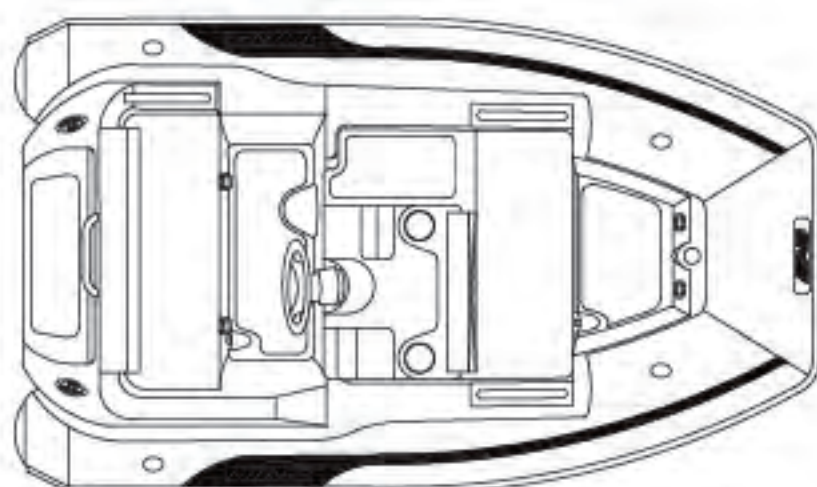


ACE 90 ECT
90 HP

Muffler & Silencer
Catalytic Exhaust System



**INTERNATIONAL
WARRANTY**



Standard Equipment

Features

- Integrated Marine Grade Aluminum Fuel Tank (gal.10)
- Diamond Non-Skid Deck
- Rear Seat with Ample Storage
- Fully Upholstered Seating-Spradling®
- Console with forward seat
- Easy Port & Starboard Access
- Stainless Steel Port/Starboard Hand Rails
- Ample Engine Access
- Stainless Steel Bow Eye
- 2 Stern Stainless Steel Foldable Cleats
- 3 Stainless Steel Davit Lifting Points
- Stainless Steel Ski-Eye & Stern Hand Rail
- Stainless Steel Transom Tie Downs
- Battery Box
- 2 Recessed Cup Holders
- Water Tight Engine Compartment Seal

Tube

- Orca ® (CSM) Fabric
- Non-Corrosive Push-Push Inflation Valves
- Single Solid Rub Rail
- Reinforced External Seams

Drain System

- Self Bailing Deck System with Non-Return Valves
- Stainless Steel Drain Plugs

Standard Accessories

- Automatic Fire Extinguisher
- Safety Lanyard Switch
- Automatic 500 GPH Bilge Pump
- Removable Pole LED Navigation & Anchor Light
- Battery Switch
- Maintenance-Free Battery
- Engine Compartment In-Line Blower
- Sport Steering Wheel
- Steering System
- Complete Tin Wiring & (Head) Heat Shrink Seal Terminals
- Control Panel (Includes Fuel Gauge)
- Shift Control
- Stainless Steel Gas Springs for Engine Compartment
- Under Platform Sliding SS Ladder
- Hand Pump & Maintenance Kit
- Owner's Manual

Engine Features

- Rotax ® ACE 90 ECT
- Muffler & Silencer
- Catalytic Exhaust System

Optional Equipment

- Synthetic Teak
- Boat Cover
- Stereo System & Compass
- GPS Chart Plotter / Sounder
- Stainless Steel Tie Downs
- Quick Release Wheel
- Adjustable Steering Wheel
- Stainless Steel Anchor
- Name on Upholstery
- LED Courtesy Lights
- Battery Charger
- VHF & Antenna
- Upholstery and Inflatable Tube Color Options
- Fiberglass Bow Step with SS cleat and navigation lights

290

ABJET[®]



ABJET® 330



Specifications

Model	ABJET® 330
Length	3,30 mts / 10' 10"
Beam	1,72 mts / 5' 8"
Height (Removable Wheel)	0,85 mts / 2' 9"
Tube Material	ORCA® 828
Tube Diameter	16" / 0,41 mts
Number of Chambers	4
Weight	728 lbs / 330 kgs
Person Capacity	5
Installed HP	90
RDC Design Category	C

Engine features

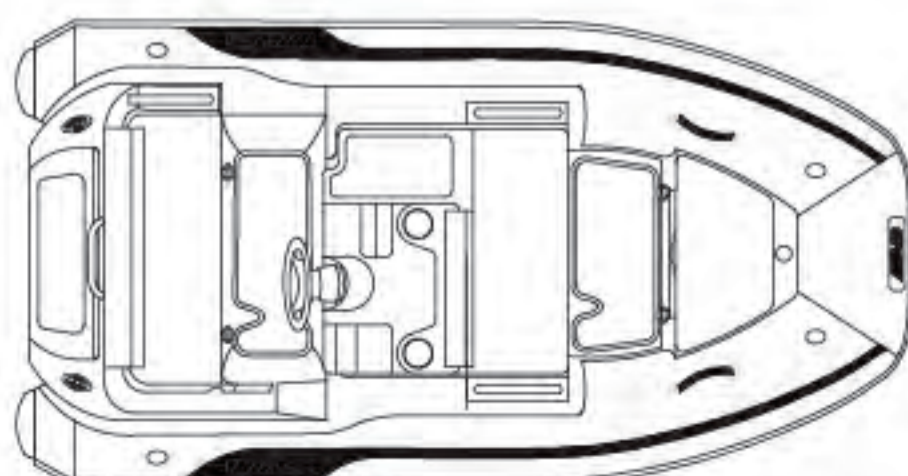
OEM with **ROTAX** 

ACE 90 ECT
90 HP

Muffler & Silencer
Catalytic Exhaust System



**INTERNATIONAL
WARRANTY**



Standard Equipment

Features

- Integrated Marine Grade Aluminum Fuel Tank (Gal.10)
- Diamond Non-Skid Deck
- Rear Seat with Ample Storage
- Fully Upholstered Seating-Spradling@
- Console with forward seat
- Integrated Bow Locker
- Easy Port & Starboard Access
- Stainless Steel Port/Starboard Hand Rails
- Ample Engine Access
- Stainless Steel Bow Eye
- 2 Stern Stainless Steel Foldable Cleats
- 4 Stainless Steel Davit Lifting Points
- Stainless Steel Ski-Eye & Stern Hand Rail
- Stainless Steel Transom Tie Downs
- Battery Box
- 2 Recessed Cup Holders
- Water Tight Engine Compartment Seal

Tube

- Orca ® (CSM) Fabric
- Non-Corrosive Push-Push Inflation Valves
- Single Solid Rub Rail
- Reinforced External Seams
- Orca ® (CSM) Fabric Handles on Tubes

Drain System

- Self Bailing Deck System with Non-Return Valves
- Stainless Steel Drain Plugs

Standard Accessories

- Automatic Fire Extinguisher
- Safety Lanyard Switch
- Automatic 500 GPH Bilge Pump
- Removable Pole LED Navigation & Anchor Light
- Battery Switch
- Maintenance-Free Battery
- Engine Compartment In-Line Blower
- Sport Steering Wheel
- Steering System
- Complete Tin Wiring & (Head) Heat Shrink Seal Terminals
- Control Panel (Includes Fuel Gauge)
- Shift Control
- Stainless Steel Gas Springs for Engine Compartment
- Under Platform Sliding SS Ladder
- Hand Pump & Maintenance Kit
- Owner's Manual

Engine Features

- Rotax® ACE 90 ECT
- Muffler & Silencer
- Catalytic Exhaust System

Optional Equipment

- Synthetic Teak
- Boat Cover
- Stereo System & Compass
- GPS Chart Plotter / Sounder
- Stainless Steel Tie Downs
- Quick Release Wheel
- Adjustable Steering Wheel
- Stainless Steel Anchor
- Name on Upholstery
- LED Courtesy Lights
- Battery Charger
- VHF & Antenna
- Upholstery and Inflatable Tube Color Options
- Fiberglass Bow Step with cushion, navigation lights and SS cleat

330

ABJET[®]



ABJET® 380



Specifications

Model	ABJET® 380
Length	3,86 mts / 12' 8"
Beam	1,78 mts / 5' 10"
Height (Removable Wheel)	0,93 mts / 3' 1"
Tube Material	ORCA® 828
Tube Diameter	17" / 0,43 mts
Number of Chambers	4
Weight	882 lbs / 400 kgs
Person Capacity	6
Installed HP	170
RDC Design Category	C

Engine features

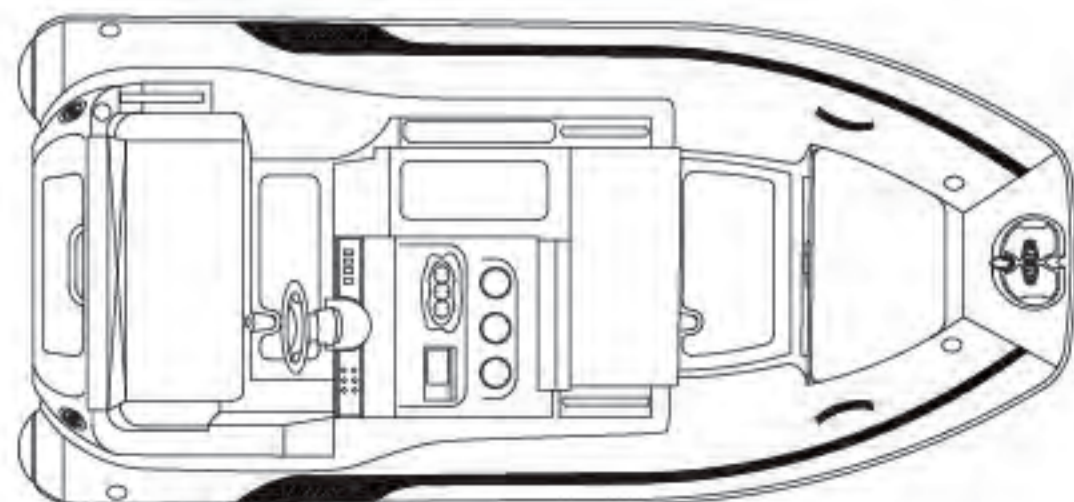
OEM with **ROTAX** 

ACE 170 ECT
170HP

Muffler & Silencer
Catalytic Exhaust System



**INTERNATIONAL
WARRANTY**



Standard Equipment

Features

- Integrated Marine Grade Aluminum Fuel Tank (Gal.16)
- Diamond Non-Skid Deck
- Rear Seat with Ample Storage
- Fully Upholstered Seating-Spradling®
- Console with forward seat and storage
- Integrated Bow Locker
- Easy Port & Starboard Access
- Stainless Steel Port/Starboard Hand Rails
- Ample Engine Access
- Stainless Steel Bow Eye
- Fiberglass Bow Step with cushion, navigation lights and SS cleat
- 2 Stern Stainless Steel Foldable Cleats
- 4 Stainless Steel Davit Lifting Points
- Stainless Steel Ski-Eye & Stern Hand Rail
- Stainless Steel Transom Tie Downs
- Battery Box
- 3 Recessed Cup Holders
- Water Tight Engine Compartment Seal

Tube

- Orca ® (CSM) Fabric
- Non-Corrosive Push-Push Inflation Valves
- Single Solid Rub Rail
- Reinforced External Seams
- Orca ® (CSM) Fabric Handles on Tubes

Drain System

- Self Bailing Deck System with Non-Return Valves
- Stainless Steel Drain Plugs

Standard Accessories

- Automatic Fire Extinguisher
- Safety Lanyard Switch
- Automatic 500 GPH Bilge Pump
- Stainless Steel LED Navigation Light
- Removable Pole LED Anchor Light
- Power Reduction Key to 120HP
- Battery Switch
- Maintenance-Free Battery
- Engine Compartment In-Line Blower
- Sport Steering Wheel
- Steering System
- Complete Tin Wiring & (Head) Heat Shrink Seal Terminals
- Control Panel (Includes Fuel Gauge)
- Shift Control
- Stainless Steel Gas Springs for Engine Compartment
- Under Platform Sliding SS Ladder
- Hand Pump & Maintenance Kit
- Owner's Manual

Engine Features

- Rotax® ACE 170 ECT
- Muffler & Silencer
- Catalytic Exhaust System

Optional Equipment

- Synthetic Teak
- Boat Cover
- Stereo System & Compass
- GPS Chart Plotter / Sounder
- Stainless Steel Tie Downs
- Quick Release Wheel
- Adjustable Steering Wheel
- Bimini Kit
- Stainless Steel Anchor
- Name on Upholstery
- LED Courtesy Lights
- Battery Charger
- VHF & Antenna
- Upholstery and Inflatable Tube Color Options

380

ABJET®





ABJET[®]
XP SERIES

ABJET[®]



ABJET® 350XP



Specifications

Model	ABJET® 350XP
Length	3,44 mts / 11'3,5"
Beam	1,78 mts / 5'10"
Height (Removable Wheel)	0,87 mts / 2'10"
Tube Material	ORCA® 828
Tube Diameter	16" / 0.41 mts
Number of Chambers	4
Weight	761 lbs / 345 Kgs
Person Capacity	5
Installed HP	90
RDC Design Category	C

Engine features

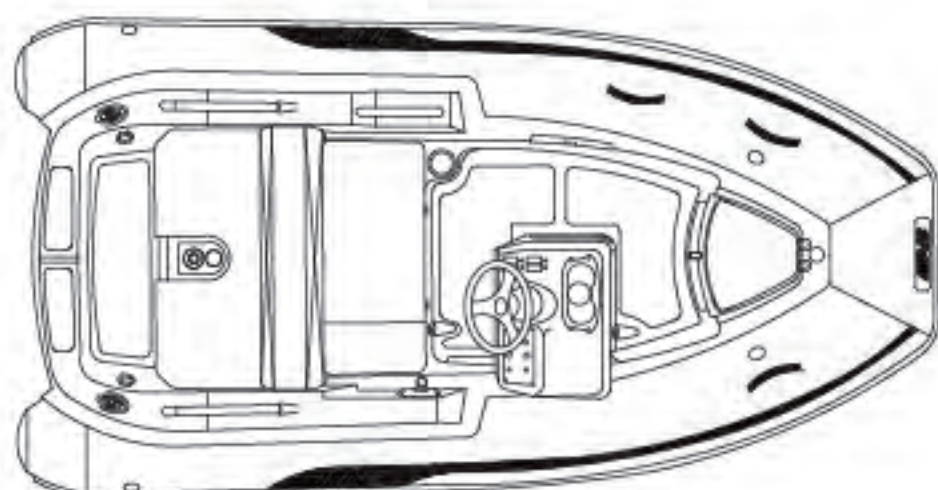
OEM with **ROTAX** 

ACE 90 ECT
90 HP

Muffler & Silencer
Catalytic Exhaust System



**INTERNATIONAL
WARRANTY**



Standard Equipment

Features

Integrated Marine Grade Aluminum Fuel Tank (gal.11)
Diamond Non-Skid Deck
Dual Rear Seat
Fully Upholstered Seating-Spradling®
Integrated Bow Locker
Easy Port & Starboard Access
Integrated Stainless Steel Stern Hand Rails
Ample Engine Access
Stainless Steel Bow Eye
2 Stern Stainless Steel Foldable Cleats
3 Stainless Steel Davit Lifting Points
Stainless Steel Removable Ski-Pole & Stern Hand Rail
Stainless Steel Transom Tie Downs
Battery Box
1 Recessed Cup Holder
Water Tight Engine Compartment Seal
Removable lateral seat

Tube

Orca ® (CSM) Fabric
Non-Corrosive Push-Push Inflation Valves
Single Solid Rub Rail
Reinforced External Seams
Orca ® (CSM) Fabric Handles on Tubes

Drain System

Self Bailing Deck System with Non-Return Valves
Stainless Steel Drain Plugs

Standard Accessories

Automatic Fire Extinguisher
Safety Lanyard Switch
Automatic 500 GPH Bilge Pump
Removable Pole LED Navigation & Anchor Light
Battery Switch
Maintenance-Free Battery
Engine Compartment In-Line Blower
Sport Adjustable Steering Wheel
Steering System
Complete Tin Wiring & (Head) Heat Shrink Seal Terminals
Control Panel (Includes Fuel Gauge)
Shift Control
Stainless Steel Gas Springs for Engine Compartment
Under Platform Sliding SS Ladder
Hand Pump & Maintenance Kit
Owner's Manual

Engine Features

Rotax® ACE 90 ECT
Catalytic Exhaust System

Muffler & Silencer

Optional Equipment

Synthetic Teak
Boat Cover
Stereo System & Compass
GPS Chart Plotter / Sounder
Stainless Steel Tie Downs
Quick Release Wheel
Bimini Kit

Stainless Steel Anchor
Name on Upholstery
LED Courtesy Lights
Battery Charger
VHF & Antenna
Upholstery and Inflatable Tube Color Options
Fiberglass Bow Step with cushion, navigation lights and SS cleat

350XP

ABJET[®]



ABJET® 430XP



Specifications

Model	ABJET® 430XP
Length	4,35 mts / 14'3"
Beam	1,94 mts / 6'4"
Height (Removable Wheel)	1,06 mts / 3'5,5"
Tube Material	ORCA® 828
Tube Diameter	18" / 0,46 mts
Number of Chambers	5
Weight	1102 lbs / 500 kgs
Person Capacity	7
Installed HP	170
RDC Design Category	C

Engine features

OEM with **ROTAX**

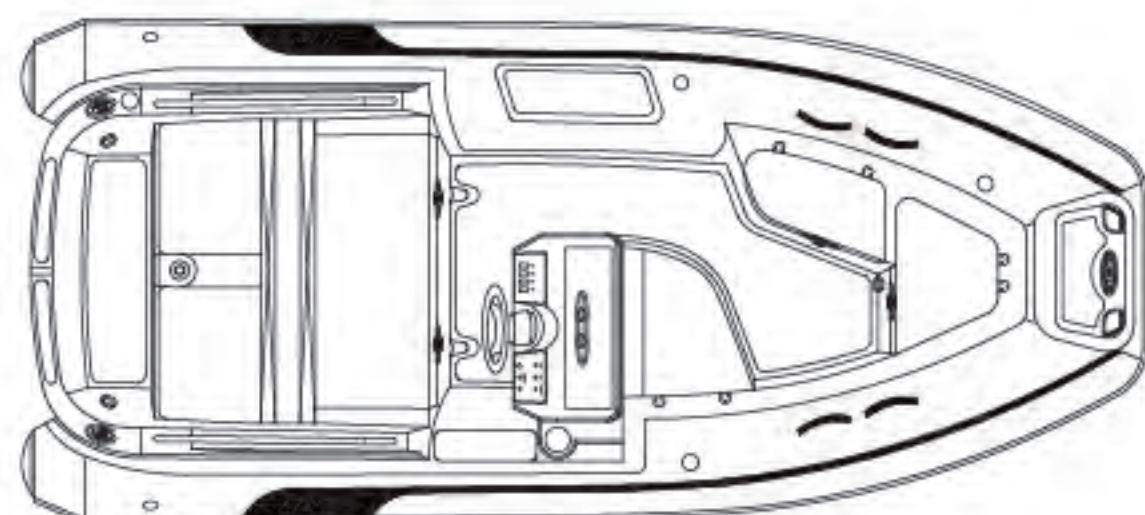


ACE 170 ECT
170HP

Muffler & Silencer
Catalytic Exhaust System



**INTERNATIONAL
WARRANTY**



Standard Equipment

Features

- Integrated Marine Grade Aluminum Fuel Tank (Gal.16)
- Diamond Non-Skid Deck
- Dual Rear Seat
- Fully Upholstered Seating-Spradling®
- Integrated Bow Locker
- Easy Port & Starboard Access
- Integrated Stainless Steel Stern Rails
- Ample Engine Access
- Stainless Steel Bow Eye
- Fiberglass Bow Step with cushion, navigation lights and SS cleat
- 2 Stern Stainless Steel Foldable Cleats
- 3 Stainless Steel Davit Lifting Points
- Stainless Steel Removable Ski-Pole & Stern Hand Rail
- Stainless Steel Transom Tie Downs
- Battery Box
- 1 Recessed Cup Holder
- Water Tight Engine Compartment Seal
- Built-in Coolers with Drain

Tube

- Orca ® (CSM) Fabric
- Non-Corrosive Push-Push Inflation Valves
- Double Solid Rub Rail
- Reinforced External Seams
- Orca ® (CSM) Fabric Handles on Tubes

Drain System

- Self Bailing Deck System with Non-Return Valves
- Stainless Steel Drain Plugs

Standard Accessories

- Automatic Fire Extinguisher
- Safety Lanyard Switch
- Automatic 500 GPH Bilge Pump
- Stainless Steel LED Navigation Light
- Removable Pole LED Anchor Light
- Battery Switch
- Maintenance-Free Battery
- Engine Compartment In-Line Blower
- Sport Adjustable Steering Wheel
- Steering System
- Complete Tin Wiring & (Head) Heat Shrink Seal Terminals
- Control Panel (Includes Fuel Gauge)
- Shift Control
- Stainless Steel Gas Springs for Engine Compartment
- Under Platform Sliding SS Ladder
- Hand Pump & Maintenance Kit
- Owner's Manual
- Power Reduction Key to 120HP

Engine Features

- Rotax® ACE 170 ECT
- Muffler & Silencer
- Catalytic Exhaust System

Optional Equipment

- Synthetic Teak
- Boat Cover
- Sunbed
- Stereo System & Compass
- GPS Chart Plotter / Sounder
- Stainless Steel Tie Downs
- VHF & Antenna
- Quick Release Wheel
- Bimini Kit
- Stainless Steel Anchor
- Name on Upholstery
- LED Courtesy Lights
- Battery Charger
- Upholstery and Inflatable Tube Color Options

430XP

ABJET[®]



ABJET® 465XP



Specifications

Model	ABJET® 465XP
Length	4,56 mts / 15'
Beam	2,01 mts / 6'7"
Height (Removable Wheel)	1,12 mts / 3'8,5"
Tube Material	ORCA® 828
Tube Diameter	18" / 0.46 mts
Number of Chambers	5
Weight	1257 lbs / 570 kgs
Person Capacity	8
Installed HP	170
RDC Design Category	C

Engine features

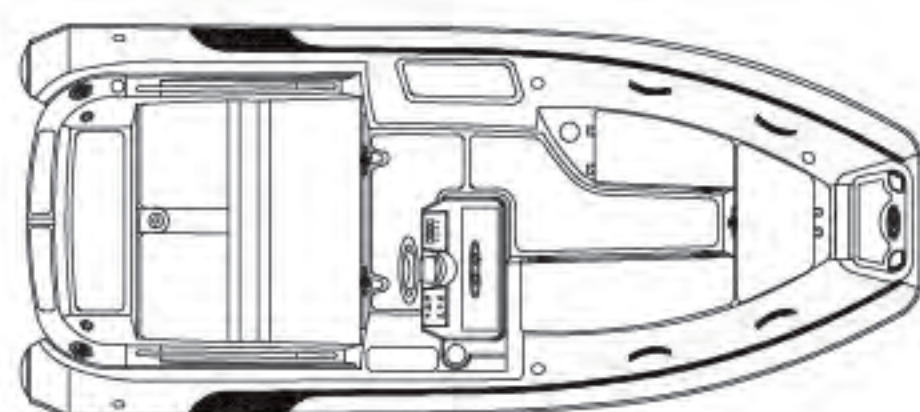
OEM with **ROTAX** 

ACE 170 ECT
170 HP

Muffler & Silencer
Catalytic Exhaust System



**INTERNATIONAL
WARRANTY**



Standard Equipment

Features

- Integrated Marine Grade Aluminum Fuel Tank (gal.26)
- Diamond Non-Skid Deck
- Dual Rear Seat
- Fully Upholstered Seating-Spradling®
- Easy Port & Starboard Access
- Integrated Stainless Steel Stern Rails
- Ample Engine Access
- Stainless Steel Bow Eye
- 2 Stern Stainless Steel Foldable Cleats
- 3 Stainless Steel Davit Lifting Points
- Stainless Steel Removable Ski-Pole & Stern Hand Rail
- Stainless Steel Transom Tie Downs
- Battery Box
- 2 Recessed Cup Holders
- Water Tight Engine Compartment Seal
- Built-In Coolers with Drain
- Integrated Bow Locker
- Fiberglass Bow Step with cushion, navigation lights and SS cleat
- INR - Intelligent Neutral and Reverse System

Tube

- Orca ® (CSM) Fabric
- Non-Corrosive Push-Push Inflation Valves
- Double Solid Rub Rail
- Reinforced External Seams
- Orca ® (CSM) Fabric Handles on Tubes

Drain System

- Self Bailing Deck System with Non-Return Valves
- Stainless Steel Drain Plugs

Standard Accessories

- Automatic Fire Extinguisher
- Safety Lanyard Switch
- Automatic 500 GPH Bilge Pump
- Stainless Steel Led Navigation Light
- Removable Pole Led Anchor Light
- Battery Switch
- Maintenance-Free Battery
- Engine Compartment In-Line Blower
- Sport Adjustable Steering Wheel
- Steering System
- Complete Tin Wiring & (Head) Heat Shrink Seal Terminals
- Control Panel (Includes Fuel Gauge)
- Electronic Shift Control
- Stainless Steel Gas Springs for Engine Compartment
- Under Platform Sliding SS Ladder
- Hand Pump & Maintenance Kit
- Owner's Manual

Engine Features

- Rotax ® ACE 170 ECT
- Muffler & Silencer
- Catalytic Exhaust System

Optional Equipment

- Synthetic Teak
- Boat Cover
- Stereo System & Compass
- GPS Chart Plotter / Sounder
- Stainless Steel Tie Downs
- Quick Release Wheel
- Sunbed
- Bimini Kit
- Stainless Steel Anchor
- Name on Upholstery
- LED Courtesy Lights
- Battery Charger
- VHF & Antenna
- Upholstery and Inflatable Tube Color Options

465XP

CUSTOMIZATION

Get inspired and Customize your ABJET®

To ensure the highest level of quality, we handcraft each boat from start to finish at the AB Factory. From design and mold construction to the lamination of the hull and deck, we oversee our entire production process to guarantee even the smallest details are handled with care. We also work only with the best suppliers in the industry to make sure that everything that goes into building our boats are of the highest standards.

By keeping all our production in-house, this allows us to offer a truly personalized experience. With our wide range of color and texture options for upholstery, inflatable tubes and accessories (many of which are included as standard), you can truly make any ABJET® your own.

Contact your preferred dealer or emailed AB to info@abinflatables.com and start to create your own piece of art.



ABJET[®]





A B I N F L A T A B L E S

www.abinflatables.com

